



## Slip-On Line (Titanium)

Produkt-Code: S-H10SO22-HWT EC EPA CARB RP ECE

With a design inspired by Akrapovič-equipped cross-country rally-winning motorcycles – including rallies in Africa, the continent that gave birth to Honda’s iconic machine – the Slip-On Line is every bit an exhaust that has been developed under the harshest and most gruelling of conditions. The double-flow muffler is a unique combination of a hexagonal shape and a more classic rear endcap, finished with a durable titanium muffler sleeve and robust carbon-fibre clamp. This EC/ECE type-approved exhaust provides a performance increase at lower and higher revs. A deeper more enriching sound is achieved by using the best characteristics of the Honda’s 270° twin-cylinder engine and delivering a pulsating beat. The plug-and-play exhaust is simple to install without any need for remapping and comes with full instructions.

Exhaust system is compatible with Honda side cases and central stand.

<b>TECH. DATEN</b>	<b>EINHEIT</b>	<b>ORIGINAL</b>	<b>AKRAPOVIČ</b>	<b>MAX. WERTE</b>
Maximale Leistung	kW	61.7 bei 7350 rpm	62.6 bei 7550 rpm	+ 1.7 bei 4750 rpm
	PS (m)	83.9 bei 7350 rpm	85.1 bei 7550 rpm	+ 2.3 bei 4750 rpm
	PS (i)	82.7 bei 7350 rpm	83.9 bei 7550 rpm	+ 2.3 bei 4750 rpm
Maximales Drehmoment	Nm	89.2 bei 6500 rpm	90.4 bei 5450 rpm	+ 4.3 bei 2050 rpm
	lb-ft	65.8 bei 6500 rpm	66.7 bei 5450 rpm	+ 3.2 bei 2050 rpm
Gewicht	kg	4.8	3.2	- 1.7
	lb	10.7	7	- 3.6
Statische Geräuschpegel	dB	94.8	92.9	- 1.9
	rpm	3750	3750	0

gemessen mit: Honda CRF1000L Africa Twin Adventure Sports 2018

## Optionale Teile

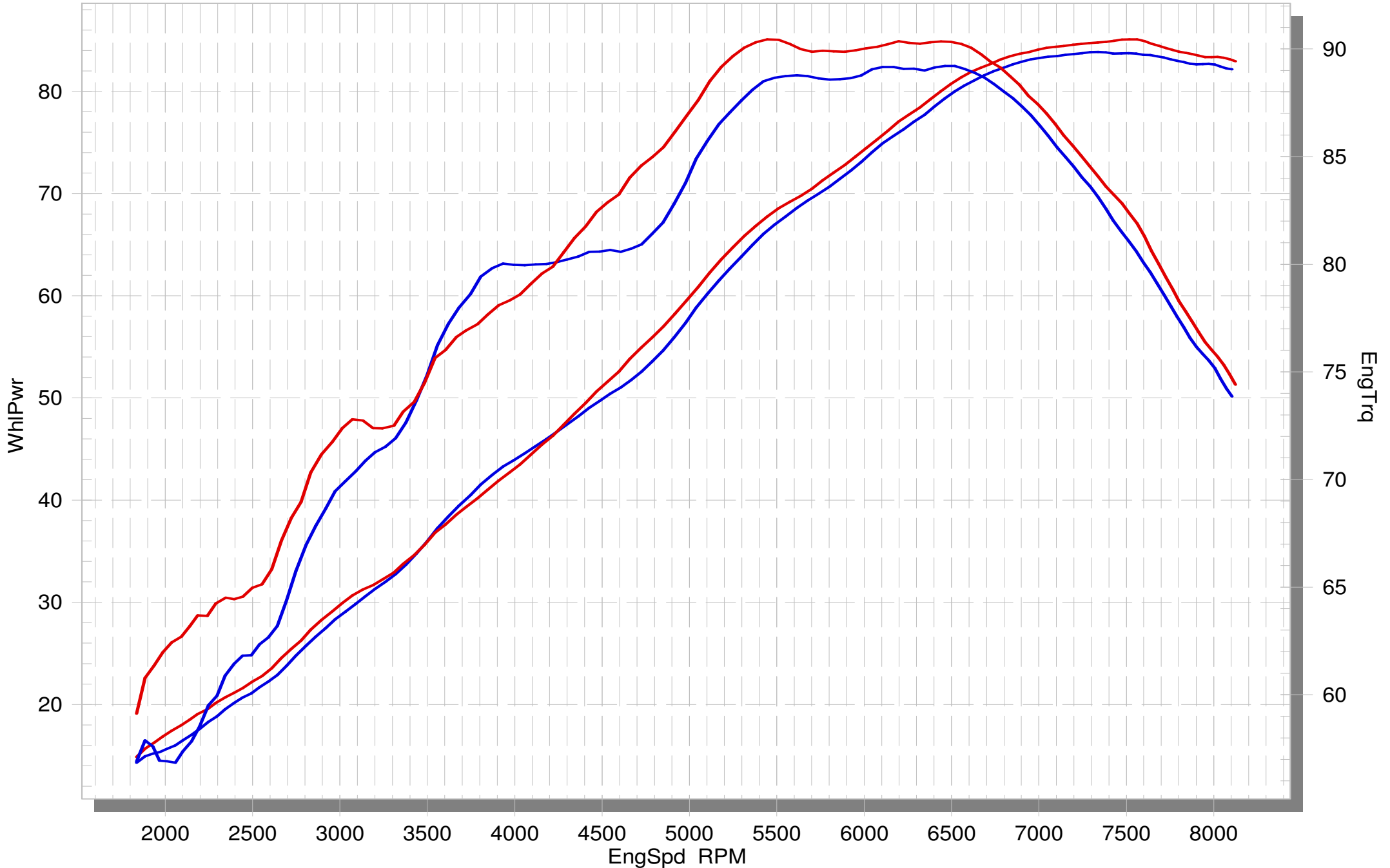
Produkt-Code: **Optional Header (SS)**

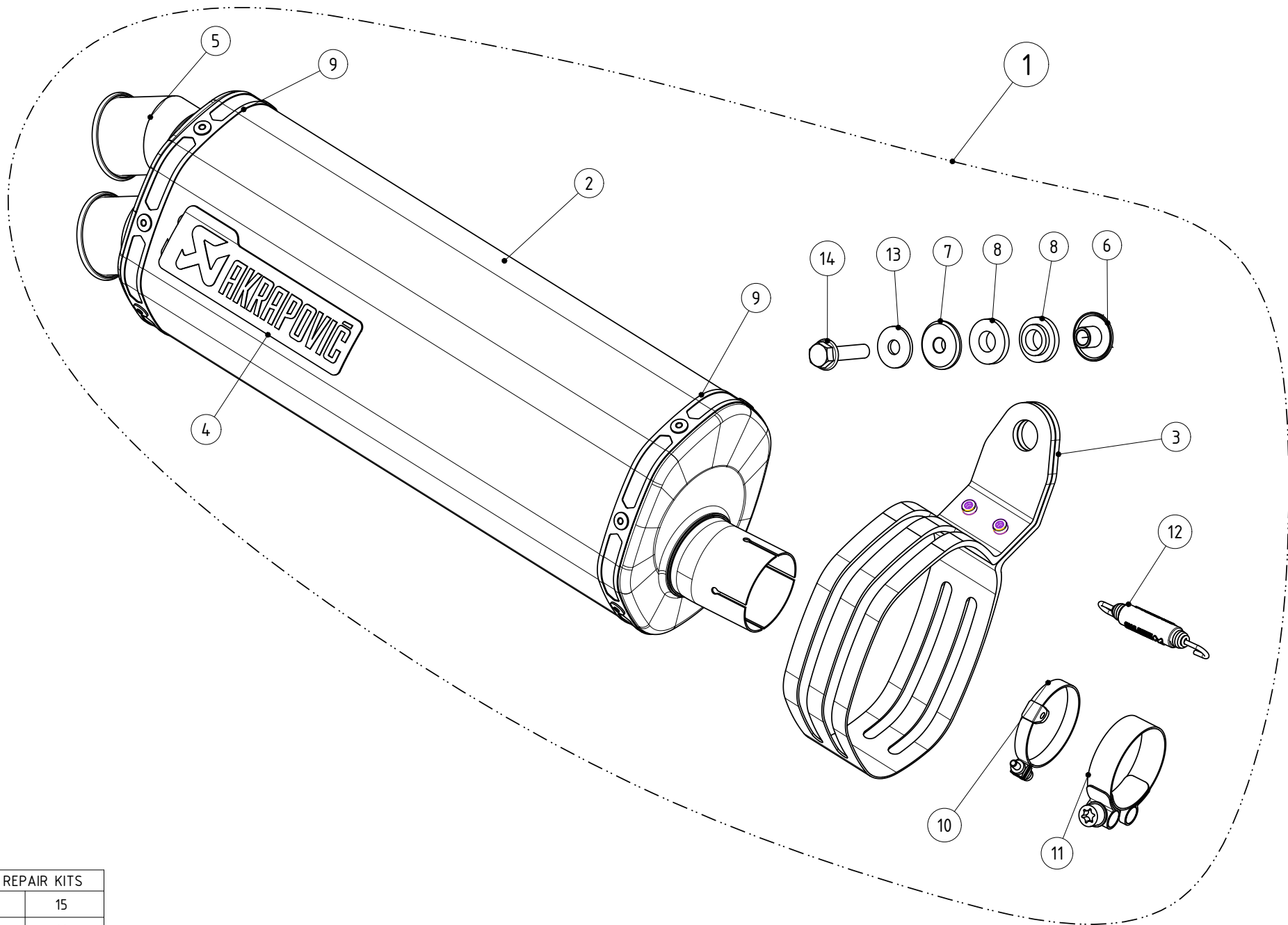
Produkt name: **E-H10R5/1**

# HONDA CRF1000L Africa Twin

 STOCK

 SLIP-ON





MUFFLER REPAIR KITS	
REPACK	15
SLEEVE	16

No.	SalesCode	Description	Qty.
1	S-H10SO22-HWT	slip on system	1
2	M-HW00701T	muffler	1
3	P-MCTW8	muffler clamp	1
4	P-HST2AL	sticker	1
5	V-EC321	end cap SS	1
6	P-DR113	spacer bushe AL	1
7	P-DR54	spacer bushe AL	1
8	P-GUV002	rubber insert	2
9	P-TT72	belt TI for TI sleeve	2
10	P-R16	clamp SS	1
11	P-R88	clamp SS	1
12	P-S1/2	spring	1
13	P-DR4	washer SS	1
14	P-FB65	bolt	1
15	P-RPCK222	muffler repack kit	1
16	P-RKS604W400	sleeve kit	1