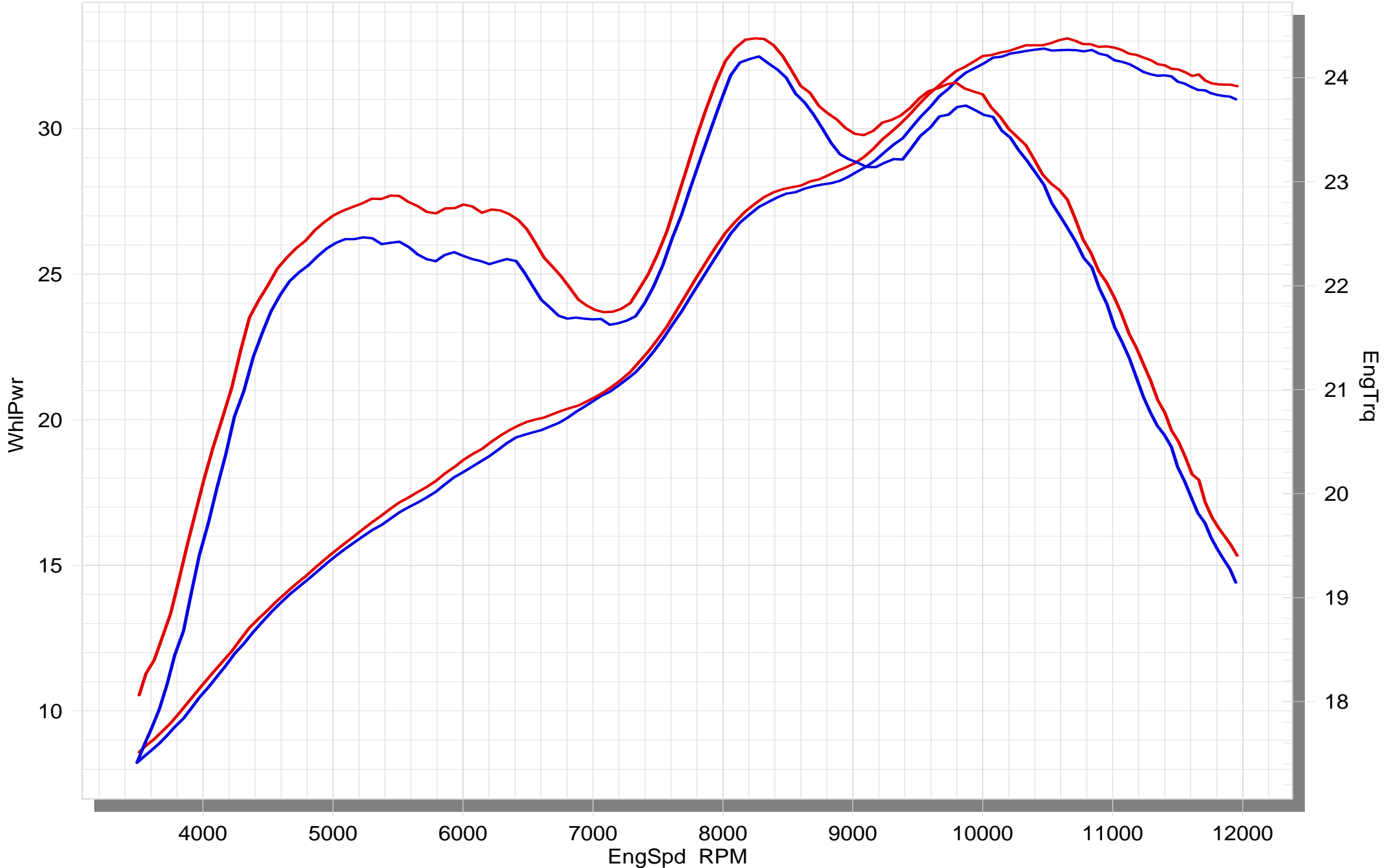
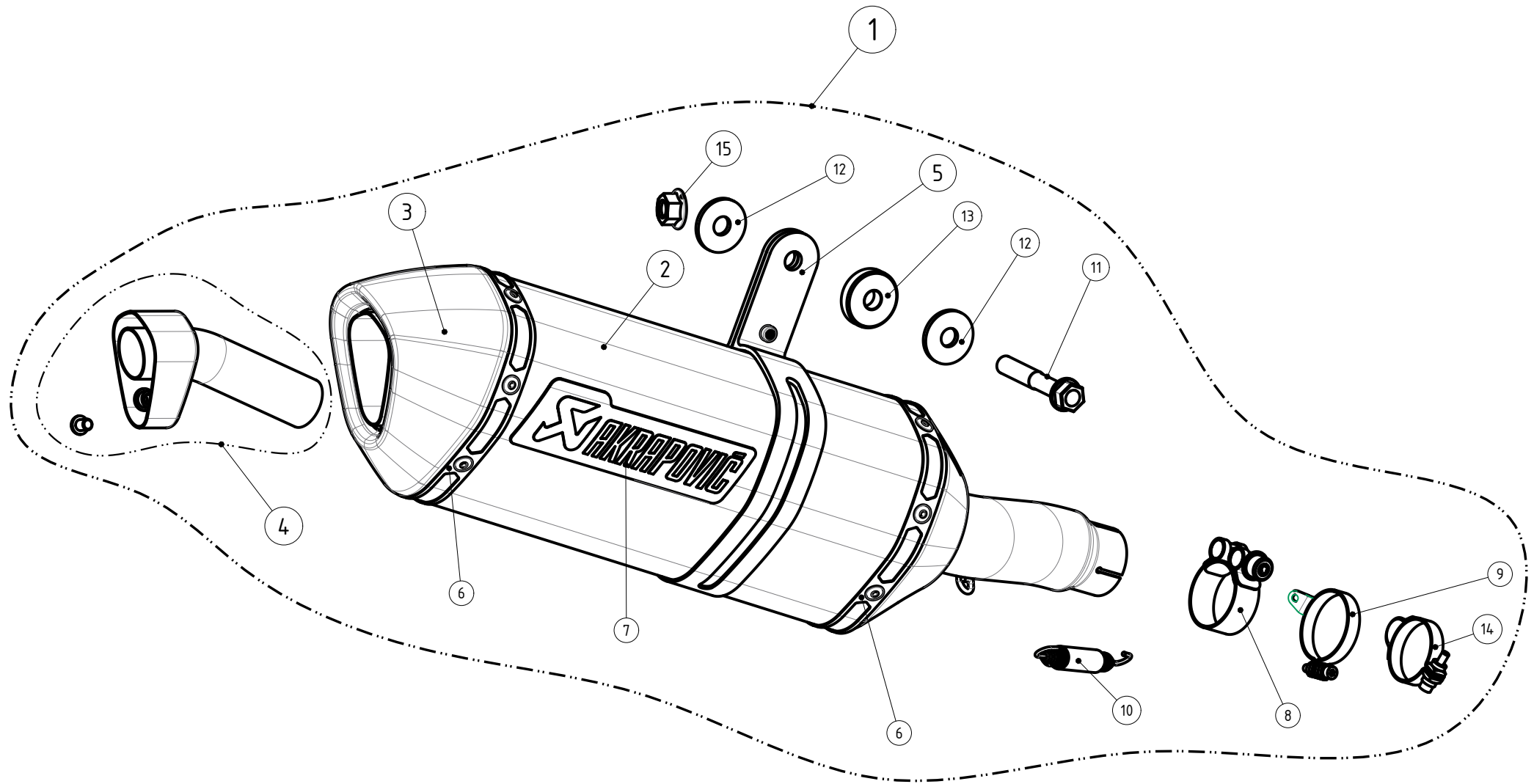


KAWASAKI NINJA 300

STOCK

SLIP-ON





MUFFLER REPAIR KITS

REPACK 16

SLEEVE 17

| No. | SalesCode | Description | Qty. |
|-----|--------------|--|------|
| 1 | S-K3SO1-ZC | slip on system | 1 |
| 2 | M-Z04102C | muffler CA | 1 |
| 3 | V-EC121 | end cap CA | 1 |
| 4 | V-TUV105 | insert SS | 1 |
| 5 | P-MCCZ37 | muffler clamp CA | 1 |
| 6 | P-TT19 | belt TI for CA sleeve | 2 |
| 7 | P-HST6AL | sticker | 1 |
| 8 | P-R86 | clamp SS | 1 |
| 9 | P-R87R | clamp SS | 1 |
| 10 | P-S2 | spring | 1 |
| 11 | P-FB175 | bolt | 1 |
| 12 | P-DR64 | washer SS | 2 |
| 13 | P-DR45 | spacer bushe AL | 1 |
| 14 | P-R26 | clamp SS - Kawasaki Ninja 250R 2013 | 1 |
| 15 | P-FN13 | nut | 1 |
| 16 | P-RPCK38 | muffler repack kit | 1 |
| 17 | P-RKS237ZC30 | muffler sleeve kit | 1 |