



Slip-On Line (Titanium)

Product code: S-K10SO24-HRT **EC** **EPA** **CARB RP** **ECE**

Slip-Ons represent the first step in the exhaust system tuning process, and they offer a great balance between price and performance. Change the nature of your bike by adding more power, improved performance, and the unique Akrapović sound. Everything packed in stylishly designed Slip-On exhaust systems. The result of taking design very seriously is a beautifully crafted exhaust system with a titanium muffler outer sleeve and plenty of carbon fiber parts. Race-proven materials.

On the product image, the system is shown together with optional carbon heat shield P-HSK10SO4.

TECHNICAL DATA	UNIT	STOCK	AKRAPOVIČ	MAX. GAIN
maximum power	kW	97.1 at 9300 rpm	97.4 at 9390 rpm	+ 0.4 at 9600 rpm
	HP (m)	132.1 at 9300 rpm	132.4 at 9390 rpm	+ 0.6 at 9600 rpm
	HP (i)	130.3 at 9300 rpm	130.5 at 9390 rpm	+ 0.6 at 9600 rpm
maximum torque	Nm	110 at 8360 rpm	110.2 at 8350 rpm	+ 2.3 at 1860 rpm
	lb-ft	81.1 at 8360 rpm	81.3 at 8350 rpm	+ 1.7 at 1860 rpm

measured with: Kawasaki Ninja 1000SX 2020

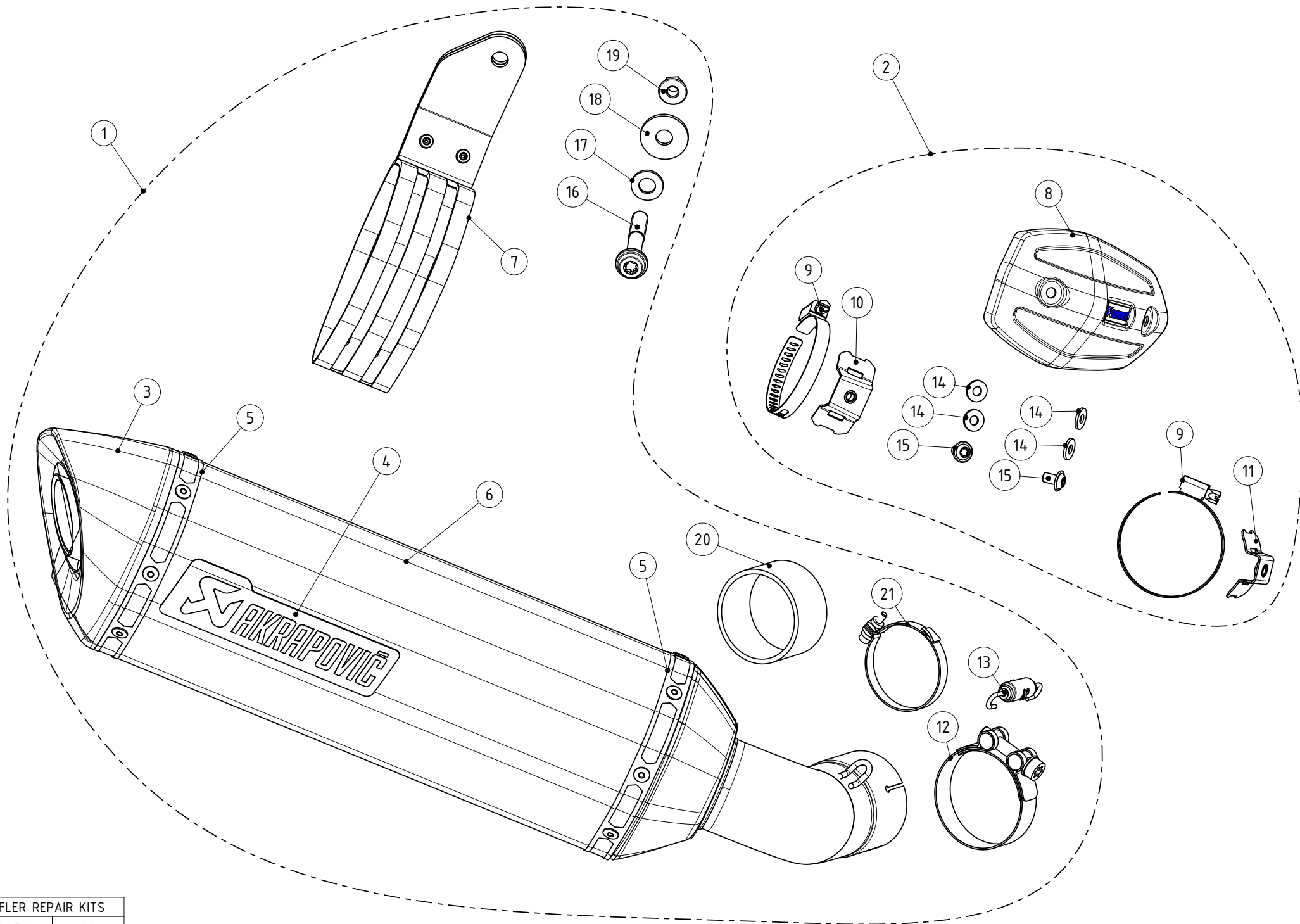
Optional Parts

Product code: **Optional Header (SS)**

Product name: **E-K10R5**

Product code: **Heat shield (Carbon)**

Product name: **P-HSK10SO4**



MUFFLER REPAIR KITS

REPACK 22

SLEEVE 23

No.	SalesCode	Description	Qty.
1	S-K10SO24-HRT	slip on system	1
2	P-HSK10SO4	heat shield CA	1
3	V-EC358	end cap	1
4	P-HST2AL	sticker	1
5	P-TT13	belt TI for TI sleeve	2
6	M-HR07202T	muffler	1
7	P-MCTR32	muffler clamp CA	1
8	P-HSK10SO4/1	heat shield CA	1
9	P-R49	clamp SS	2
10	P-X250	bracket SS	1
11	P-X251	bracket SS	1
12	P-R42	clamp SS	1
13	P-S2/1	spring	1
14	P-DR154	washer	4
15	P-FB105	bolt	2
16	P-FB174	bolt	1
17	P-DR41	washer SS	1
18	P-DR64	washer SS	1
19	P-FN15	nut	1
20	P-G66	graphite gasket	1
21	P-R115	clamp SS	1
22	P-RPCK249	muffler repack kit	1
23	P-RKS661R350	muffler sleeve kit	1