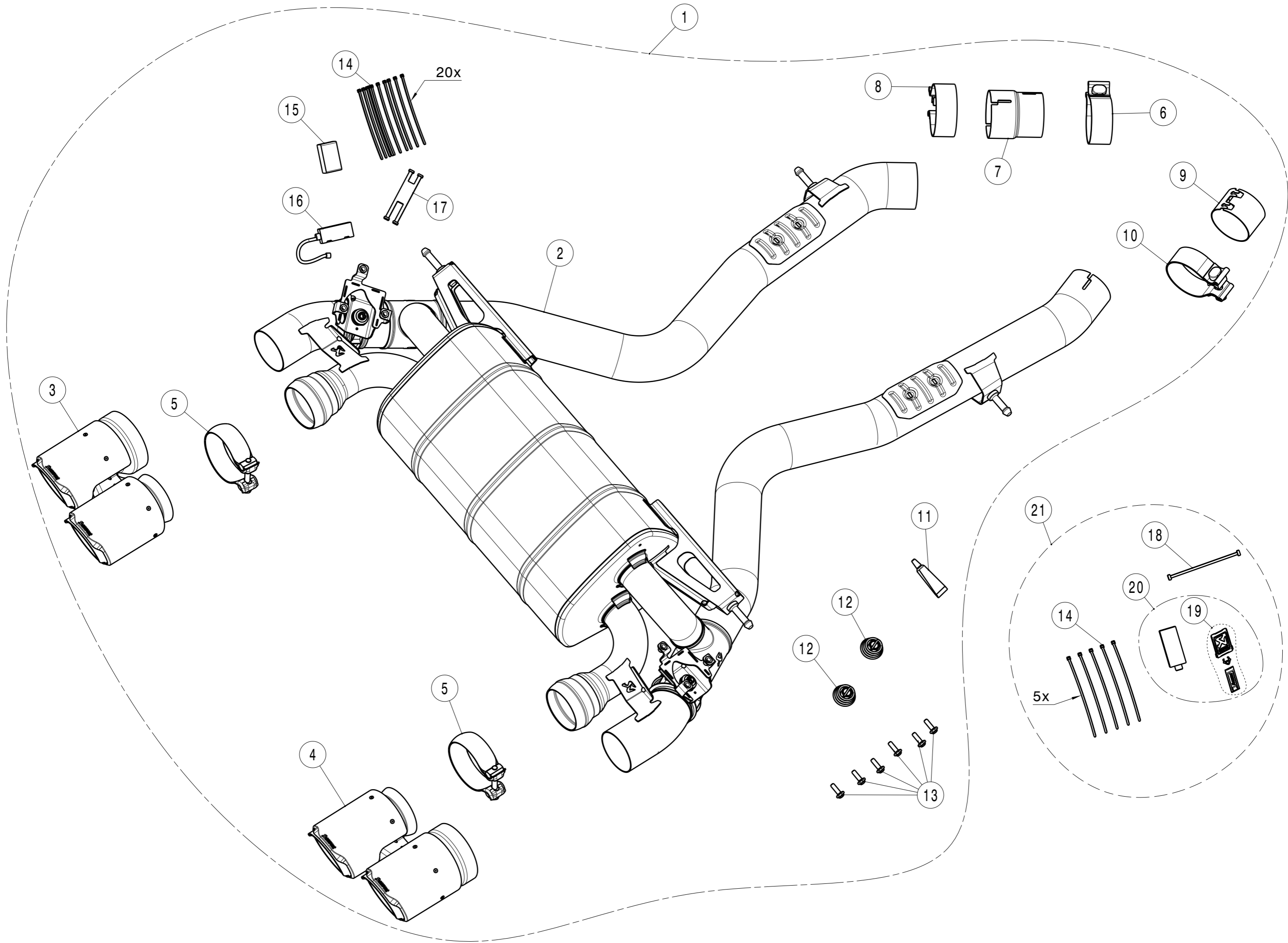


BMW M2 Competition (type F87N)

Stock

Slip-On





No.	SalesCode	Description	Qty.
1	S-BM/T/26H	slip on system	1
2	M-BM/T/22H	muffler	1
3	TP-CT/50/L	tail pipe right CA	1
4	TP-CT/50/R	tail pipe right CA	1
5	P-R142	clamp SS	2
6	P-R68	clamp SS	1
7	P-CP030	adapter TI	1
8	P-R69	clamp SS	1
9	P-HF1186	connecting pipe TI	1
10	P-R148	clamp SS	1
11	P-LT1	screw sealant	1
12	P-HF1453	lever SS	2
13	P-FB97	bolt	6
14	P-VEZ2	tie wrap	25
15	P-HF1386	Controller	1
16	P-HF936	VTS CAN Sniffer	1
17	P-HF1192	cable/wire harness	1
18	P-HF1109	cable/wire harness	1
19	P-HF841/2	Key Fob	1
20	P-HF841-A5	Key Fob + Receiver	1
21	P-HF1385	Sound Kit	1